

Model	J3 Sheet Feeder	Volt/Hz	Date of Modification	Serial Number
Modified Article	Parts Catalog			
Reason for Modification	Parts catalog correction			

Please correct your parts catalog as follows:


1. Description Correction

Parts Catalog		P/N	Incorrect Description	Correct Description
Page	Index No.			
3	50	A4533871	Outer Guide Plate	Pressure Plate

S. Hamano, Assistant General Manager
Technical Support Department

MODEL NAME	V/Hz	DESTINATION	CODE	SERIAL NUMBER
AUTO FEEDER EF3000	220,230,240/50	EUROPE	A453-09	/
REGMA 916 AUTO FEEDER	220,230,240/50	EUROPE	A453-10	
RICOH SHEET FEEDER TYPE 830	220,230,240/50	EUROPE etc.	A453-11	
K + E 7036 ASF	115/60	USA, CANADA	A453-15	

Model	J3 Sheet Feeder	Volt/Hz	Date of Modification	Serial Number
Modified Article	Right & Left Release Levers			
Reason for Modification	To ensure the front cover is locked			

Draw No.	Old Parts No.	New Parts No.	Description	Rank	Q'ty Used Old→New	Inter-changeability	Parts needed for replacement by new part		Parts Catalog	
							Part No.	Description	No.	Page
	A4532603	A4532604	Left Release Lever		1 → 1	X/X			10	5
	A4532613	A4532614	Right Release Lever		1 → 1	X/X			26	5
	03130060B		Philips Pan Head Screw - M3 x 6		n → n-2				106	5
		09513006B	Philips Screw With Flat Washer - M3 x 6		n → n-4				106	5

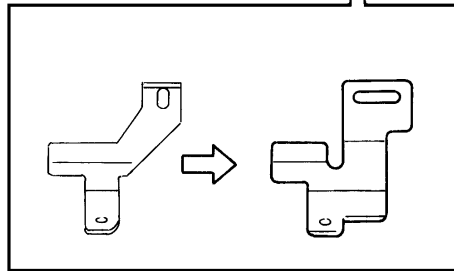
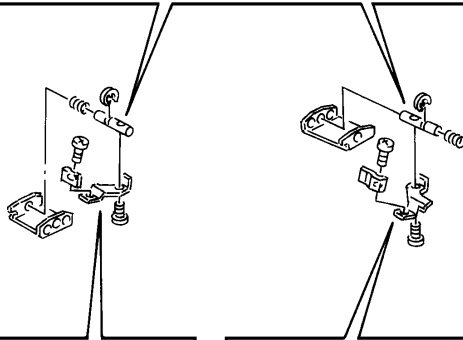
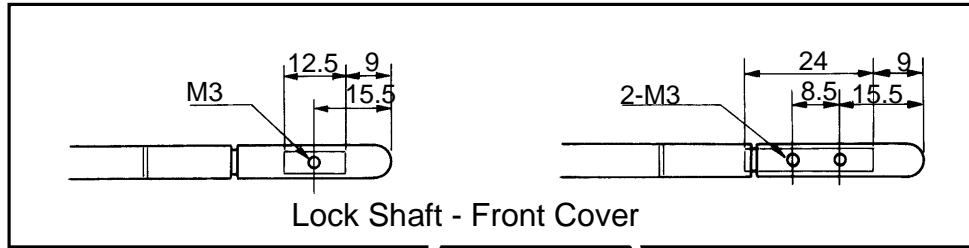
Rank: A : Replace with new parts immediately. B : Replace with new parts at time of repair. C : Replace with new parts at time of overhaul.

Interchangeability:

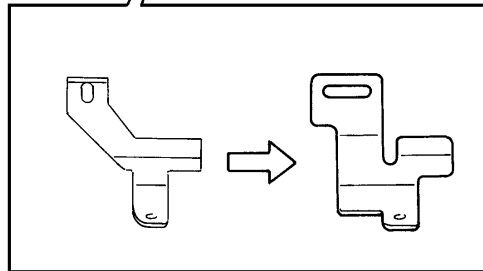
(1) When old and new parts are not mutually interchangeable, use additional parts or an assembly part as indicated in "Parts needed for replacement by new part" to install the new part.

(2) The mark to the left of the slash indicates whether the old part can be used in the new machine, and the mark to the right indicates whether the new part can be used in the old machine. x = Not interchangeable o = Interchangeable

DETAILS OF MODIFICATION



Left Release Lever



Right Release Lever

When the sheet feeder is pushed in roughly, the front cover may sometimes be released due to the tolerance of the length of the front cover lock shaft.

To correct this, the production machines have been modified so that the left and right release bracket position can be adjustable.

1. A screw hole has been added to the front cover lock shaft.
2. The configurations of the left and right release lever has been changed as shown.

DETAILS OF MODIFICATION

3. The number of fixing screws for the left and right release lever has been changed from 1 to 2. The screw has been changed to a flat washer type.

NOTE: 1. When replacing the old left and/or right release lever, replace them together with a new left and/or right release lever and new front cover lock shaft.

2. As the old cover lock shaft have not been shipped as a spare part from SPC and the new one can be installed on the old machine in the field the part number remains the same.

S. Hamano, Assistant General Manager
Technical Support Department

MODEL NAME	V/Hz	DESTINATION	CODE	SERIAL NUMBER
AUTO FEEDER EF3000	220,230,240/50	EUROPE	A453-09	6760440001
REGMA 916 AUTO FEEDER	220,230,240/50	EUROPE	A453-10	28650041
RICOH SHEET FEEDER TYPE 830	220,230,240/50	EUROPE etc.	A453-11	A3443050001
K+ E 7036 ASF	115/60	USA, CANADA	A453-15	3723050001

Model	J3 Sheet Feeder	Volt/Hz	Date of Modification	Serial Number
Modified Article	Paper Feed Roller			
Reason for Modification	To prevent the paper feed roller from being swollen as a result of the oil, the material of the roller has been changed to silicone rubber.			

Old P/N	New P/N	Description	Q'ty Used	Inter-change-ability	Parts Catalog	
					Index No.	Page
AF020108	AF020369	Paper Feed Roller - Middle	1 → 1	X/O	17	3

M. Iwasa, Manager
Technical Support Department

MODEL NAME	V/Hz	DESTINATION	CODE	SERIAL NUMBER
AUTO FEEDER EF3000	220,230,240/50	EUROPE	A453-09	676026XXXX
REGMA 916 AUTO FEEDER	220,230,240/50	EUROPE	A453-10	-
RICOH SHEET FEEDER TYPE 830	220,230,240/50	EUROPE etc.	A453-11	A3445120001
K+ E 7036 ASF	115/60	USA, CANADA	A453-15	3725120001
RICOH SHEET FEEDER TYPE 830	115/60	USA, CANADA	A453-17	A3445120014